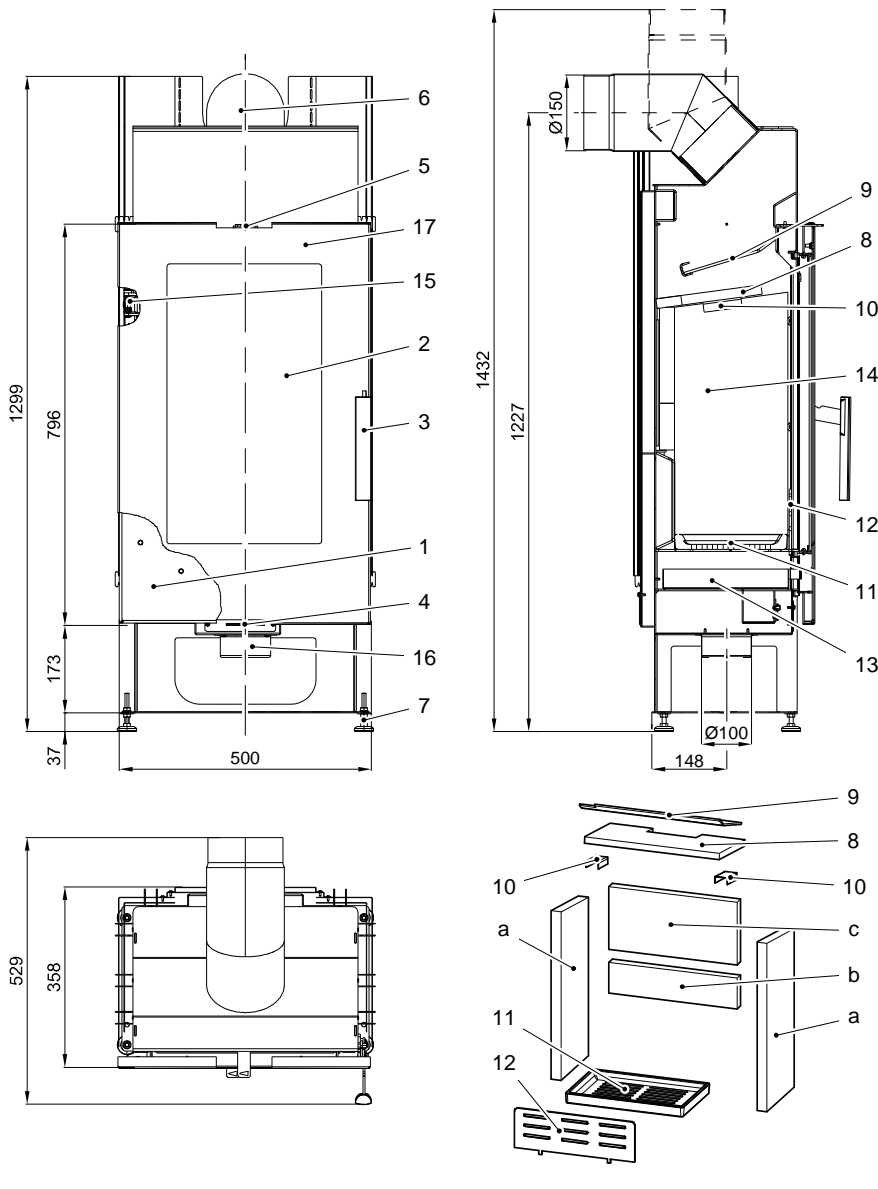


Specification Pinus-II 218.17-II Art. No.042181780000



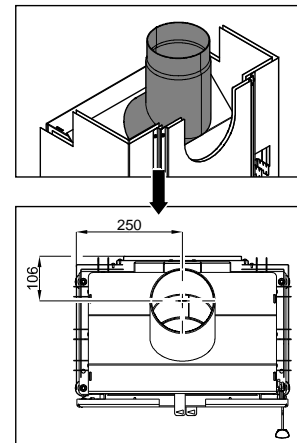
Suitable fuels:

For the combustion in your fireplace stove, the following fuels are approved (see also the chapter 5.1.):
Dry, well-seasoned wood left in natural state, wood briquettes according to DIN 51731.

Amount of fuel, adjustment of the control of combustion air, manner of operation:

see the chapters 5.4, 5.5 and 5.6 of the Operation Manual and the table below.

0601800705501	a	510x225x30
0421817805502	b	390x93x30
0601800705503	c	390x190x30



Fuel	max. amount of fuel	Control of primary air (4, at the bottom) (stream of air passing through the grate)	Control of secondary air (5, at the top)
Wooden logs, Wood briquettes:	2 – 3 logs (max. 2 – 2,5 kg as one stoking lot) or 1 wood briquette (2 kg)	10 minutes open then close	open

ET. No.	Item	Name	ET. No.	Item	Name
0421817815300	1	Door of the fire-box	0020100100007	11	Grate 360x224
0601800705305	2	Glass of the door 583x340	0421817805007	12	Pile grating 365x132
0425317035302	3	Hand pull of the door	0433017007600	13	Ash pan
-	4	Control of primary air (stream of air through the grate)	-	14	Vermiculite
-	5	Slider of secondary air	0088400040005	15	Spring of the door of the fire-box
0601800706050	6	Smoke flue neck	-	16	External input of air Ø100
0089000020015	7	Adjustable legs	0601800715316	17	Door of the fire-box enamelled
0421817805801	8	Return draft board 410x210	0041012120005	-	Sealing of the door 12mm
0421817807701	9	The upper return draft board	0040210040005	-	Glass sealing 10x4mm
0416315117501	10	Holdng clamp			

Technical data:		Pinus 218.17 AL	
Height	1299 mm	Temperature of combustion products in the neck of the heat source:	290°C
Width	500 mm	Minimum draft of the chimney:	12 Pa
Depth without handles	358 mm	Minimum draft of the chimney at 0,8-times nominal heating output:	10 Pa
Weight	102 kg	Volume stream of combustion products:	7,2 g/s
Neck of the tube	150 mm	Fuel	Wood Wood briquettes
Nominal heat output	8 kW	CO ₂ :	9.3% 9.4%
Range of heat outputs	3,1 - 8,8 kW	Energy efficiency:	80.5% 80.5%
Checking No.: EN 13240 RRF-40-14 3539			